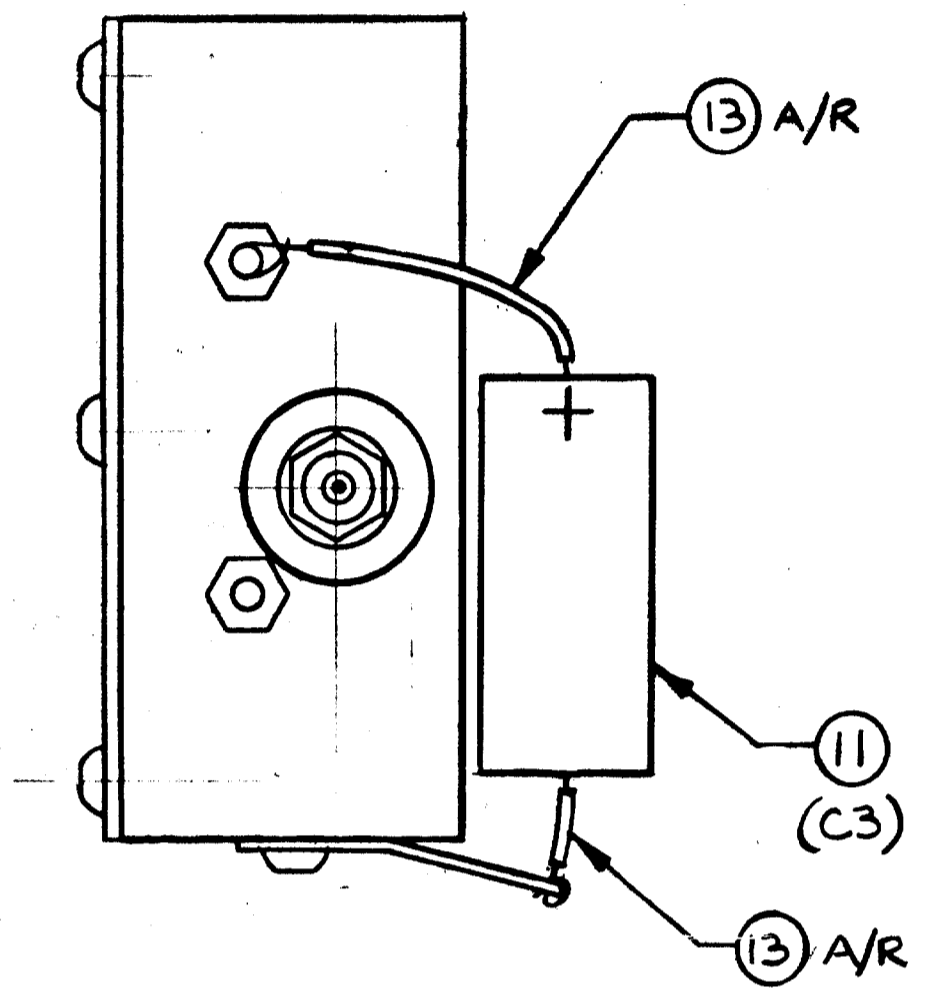
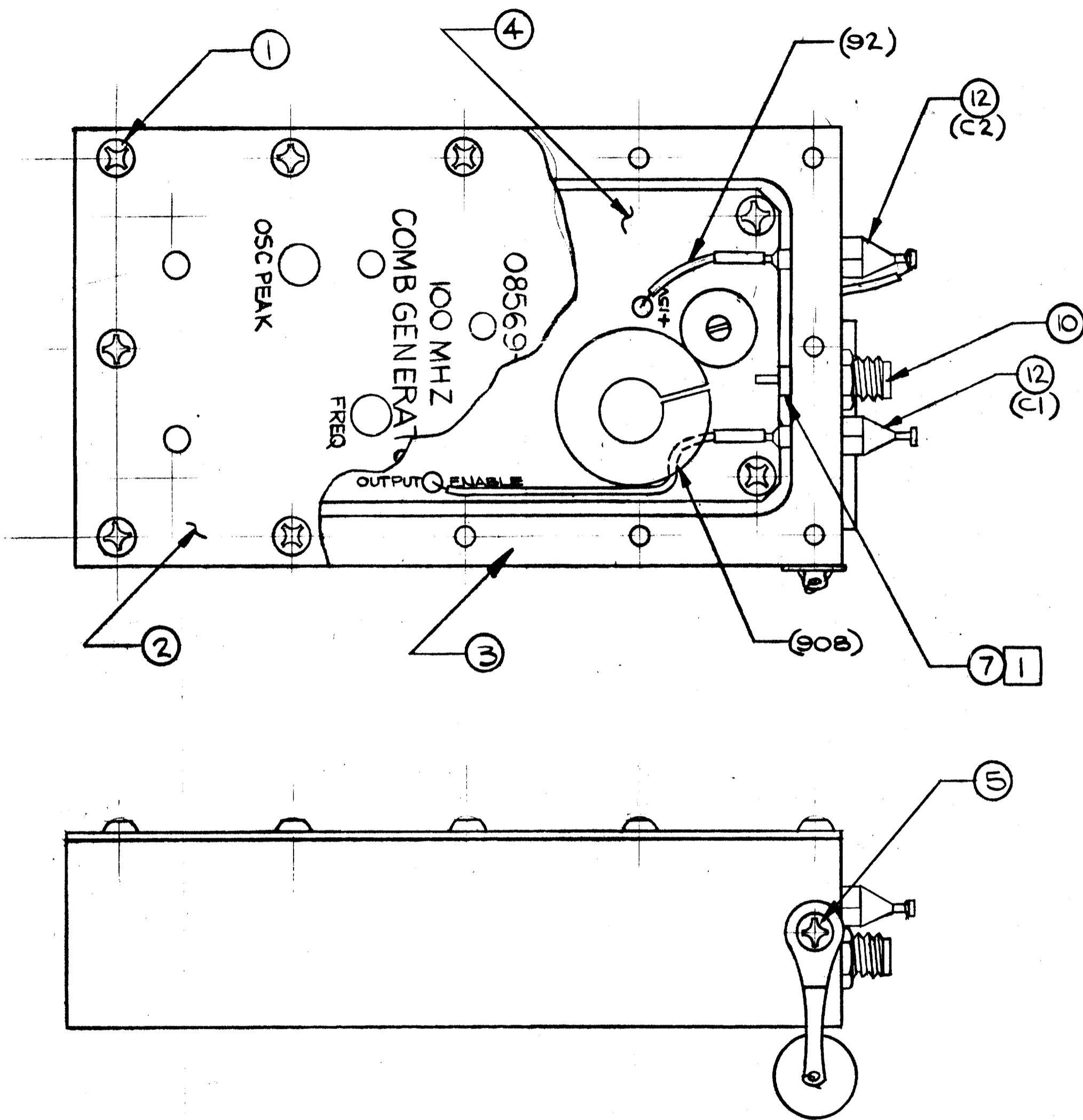


ENGINEERING RESPONSIBILITY																SEPIA	
0	1	2	3	4	5	6	7	8	9	10	11	12	13	14	15	SYM	
16	17	18	19	20	21	22	23	24	25	26	27	28	29	30	31	A	REVISIONS
32	33	34	35	36	37	38	39	40	41	42	43	44	45	46	47	B	APPROVED
48	49	50	51	52	53	54	55	56	57	58	59	60	61	62	63		DATE

08569-60024-1



NOTES:
 1. PLASTIC INSERT TO BE FLUSH WITH EDGE OF BOARD.
 COAT THREADS WITH LOCTITE ON INSERTION.

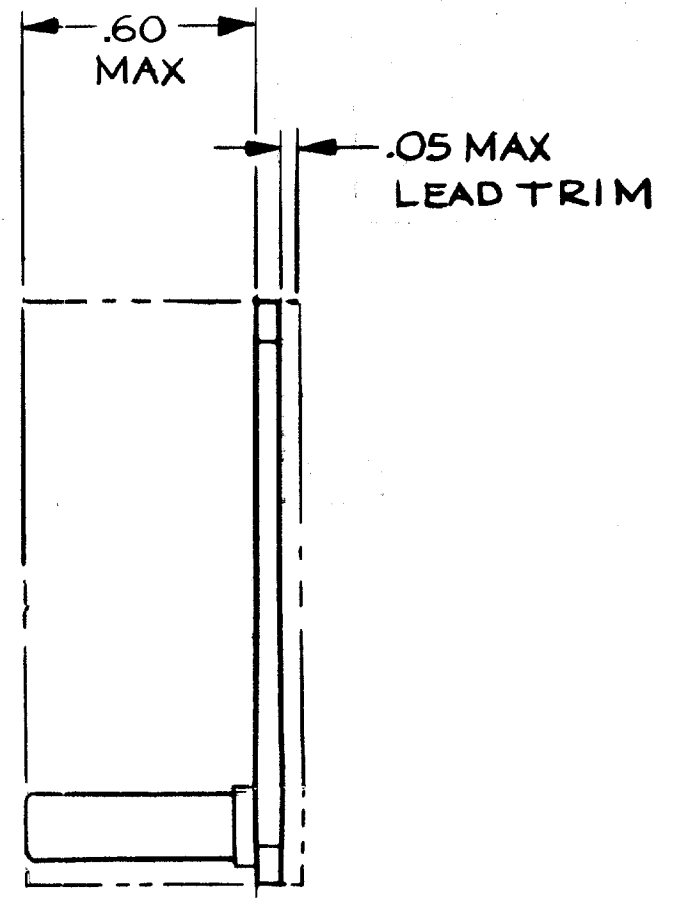
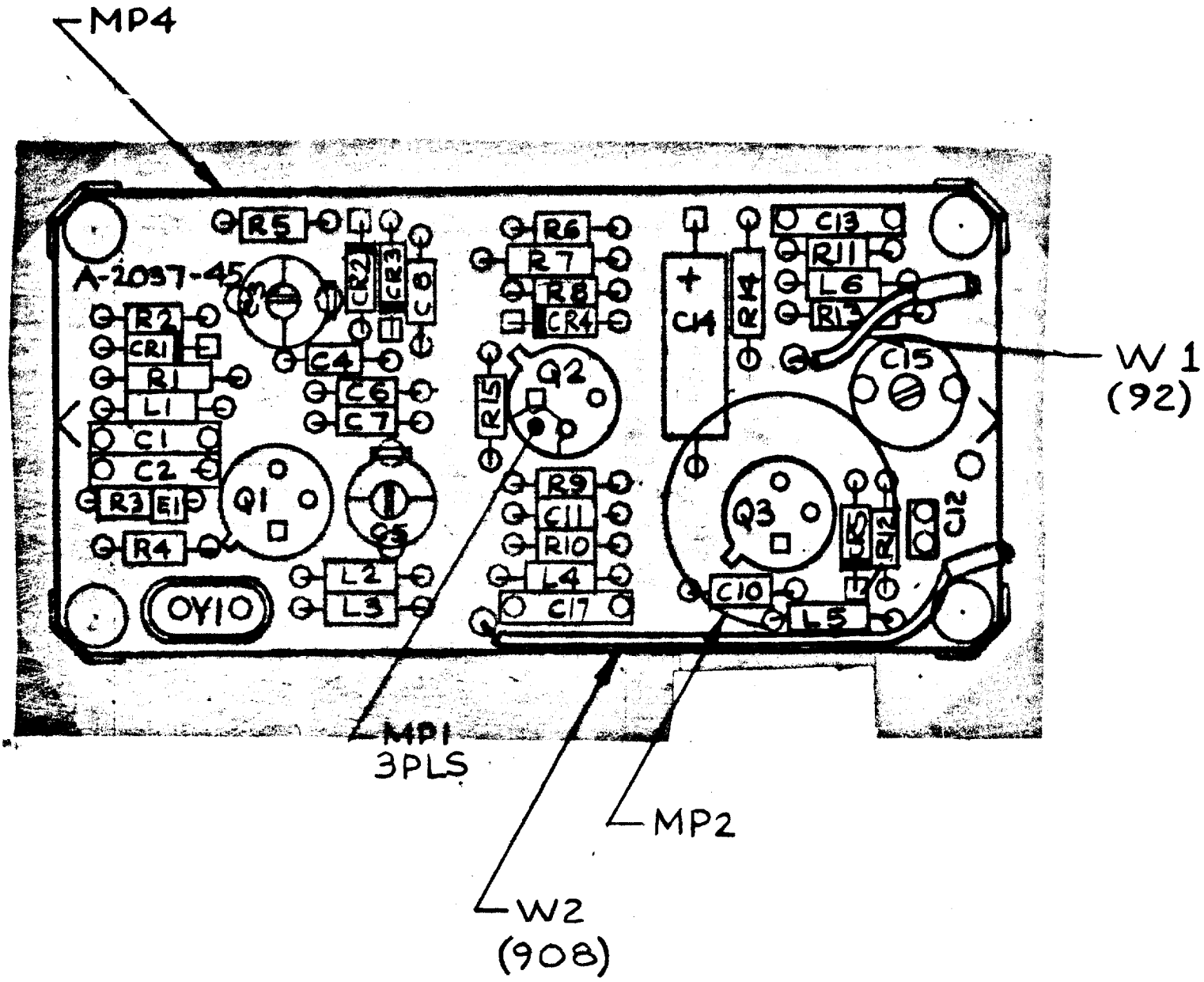
13	A/R	TBG FLEX .0321 I.D.	0890-0324		
12	2	CF CER 5000P 200V	0160-2437		
11	1	CAL 100Ω 25V	0180-0094		
10	1	CONN RF F SMA	1250-1157		
7	A/R	ADH LOCT-88 POL	0470-0013		
6	1	TML SLDR LG 6	0360-0268		
5	1	SM 632 .250 PNP	2360-0331		
4	1	BD ASSY-COMB GEN	08569-60026		
3	1	HOUSING-COMB GEN	08569-60024		
2	1	COVER-COMB GEN	08569-00023		
1	16	SM 440 .312 PNP	2200-0105		
ITEM	QTY.	MATERIAL-DESCRIPTION	MAT'L-PART NO.	MAT'L-DWG. NO.	MAT'L-SPEC.

DO NOT SCALE THIS DRAWING	COMB GENERATOR ASSEMBLY	HEWLETT PACKARD
UNLESS OTHERWISE SPECIFIED, DIMENSIONS ARE IN INCHES.		
TOLERANCES .XX ± .02 .XXX ± .005	8569A	08569-60024
SEE CORP. STD. 608	2x	C-08569-60024-1
SUPERSEDES DWG.	FINISH	SHEET OF

ENGINEERING RESPONSIBILITY															SEPIA																																			
0	1	2	3	4	5	6	7	8	9	10	11	12	13	14	15	16	17	18	19	20	21	22	23	24	25	26	27	28	29	30	31	32	33	34	35	36	37	38	39	40	41	42	43	44	45	46	47	48	49	50

C-08569-60026-1

SYM	REVISIONS		APPROVED	DATE
	A			
	B			



SEE 08569-60026 MATERIAL LIST

ITEM	QTY.	MATERIAL-DESCRIPTION	MAT'L-PART NO.	MAT'L-DWG NO.	MAT'L-SPEC.
------	------	----------------------	----------------	---------------	-------------

DO NOT SCALE THIS DRAWING UNLESS OTHERWISE SPECIFIED, DIMENSIONS ARE IN INCHES. TOLERANCES .XX ± .02 .XXX ± .005 SEE CORP. STD. 608		BOARD ASSY COMB GEN	HEWLETT PACKARD
	SEE KARDEX NEXT ASSEMBLY	08569-60026 PART NUMBER	
	FINISH	SCALE X2	C-08569-60026-1